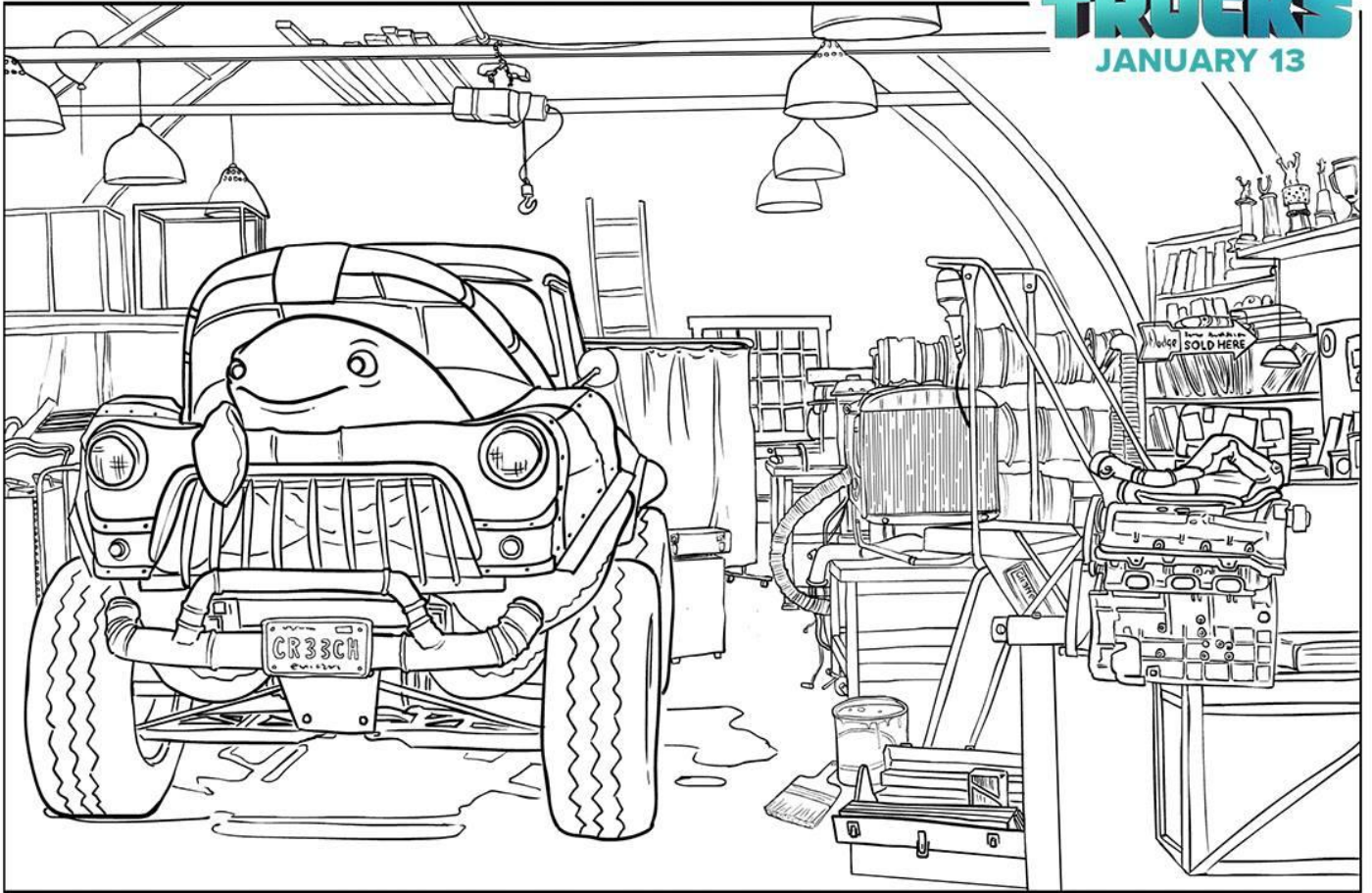


SPOT THE DIFFERENCE

**MONSTER
TRUCKS**
JANUARY 13



Can you find the 20 things that are different in these two pictures?

